



Burners for diesel two stages at two steps of pressure, aluminium frame, protection cover with noise reduction plate, combustion head with micro adjustment at high efficiency and high flame stability, hydraulic system of regulation combustive air on the two stages of flame.

Compact overall dimensions and disposition rationalized of the components with accessibility facilitated for the operations of setting and maintenance.

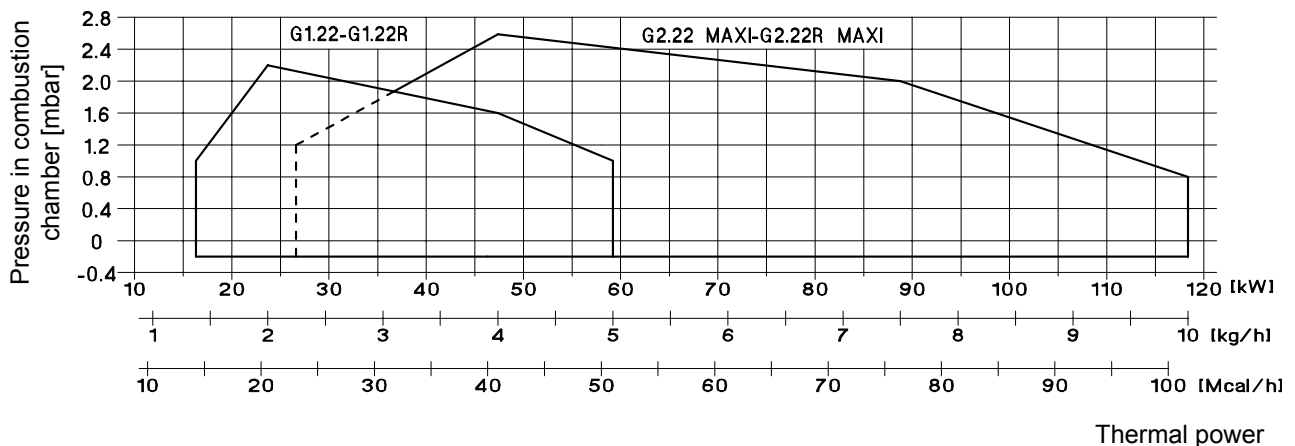
In the versions R preheater with control of temperature for soft and secure ignitions also at low temperatures.

Complete of connector 7 poles, flange and gasket for installation on boiler, nozzle, flexible pipes, line filter.

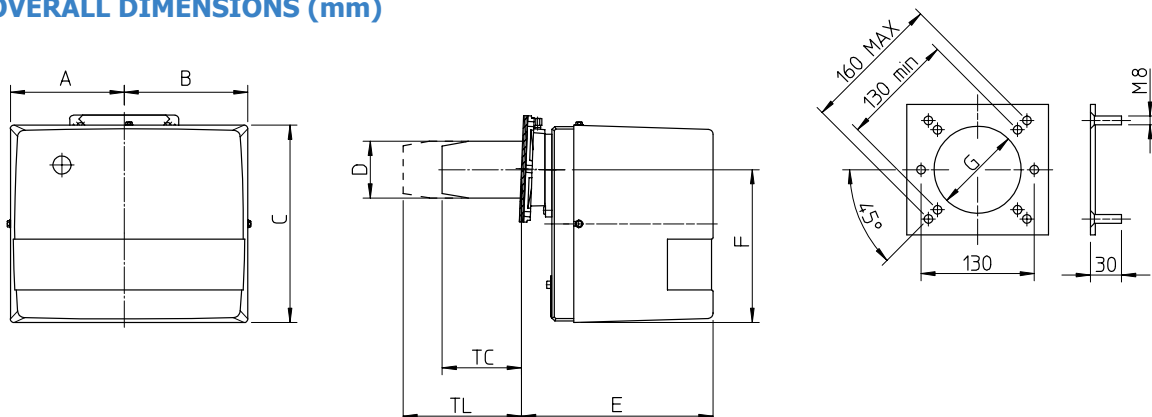
TECHNICAL DATA

MODEL		G1.22R	G1.22	G2.22R MAXI	G2.22 MAXI
Delivery	Kg/h	1.4/2,0-5,0	1.4/2,0-5,0	2.2/4-9,8	2.2/4-9,8
Thermal power	Mcal/h	14.3/20,4-51	14.3/20,4-51	22.4/40.8-99,9	22.4/40.8-99,9
Thermal power	kW	16.6/23,7-59,2	16.6/23,7-59,2	26/47.3-116	26/47.3-116
Motor power	W	100	100	100	100
Preriscaldatore	W	30-110	-	30-110	-
Maximum absorbed power	W	455	335	455	335
Fuel		LIGHT-OIL 1.5°E a 20°C = 6.2 cSt = 35 sec Redwood N°1			
Pump pressure		9-19 bar (STANDARD CALIBRATION) Max: 20 bar			
Electrical supply		single phase 230V (-15% +10%) - 50Hz			
Level of electrical protection		IP40			
Safety time of control box		≤ 10 sec.			

OPERATING RANGE: Thermal power - Pressure in combustion chamber



OVERALL DIMENSIONS (mm)



MODEL	A	B	C	D	E	F	G	TC	TL
G1.22-G1R.22	157	170	275	80	265	210	90	112	152
G2.22-G2R.22	157	170	275	90	265	210	100	112	152